

Invacare® Spree 3G - Pediatric Growable Tilt-in-Space Wheelchair



Yes, you can.®

Price List and Order Form

Effective July 13, 2009 rev October 26, 2009

For ease of ordering, contact customer Service Toll Free at:

800-333-6900 Fax: 800-678-4682

To order Literature: 800-828-6282

www.invacare.com

Company Name _____ Account # _____

Phone _____ P.O. # _____ Date _____

Ship to Name & Address _____

Special Note

HCPCS codes are not intended to be, nor should be considered billing or legal advice. Providers are responsible for determining the appropriate billing codes when submitting claims to the Medicare Program and should consult an attorney or other advisor to discuss specific situations in further detail.

FRAME CHOICE

FRAME SELECTIONS



FRAME TYPE ¹

- SPREE3G Spree 3G Tilt-in-Space Wheelchair (E1233).... 2,754.00

TRANSPORT/VENT TRAY SELECTIONS

TRANSPORT TIE DOWN ²

- TRRO2 Transport Ready Option (K0108). No Charge ³
- TRBKTS2 Transport Brackets (K0108)..... No Charge ⁴
- TROMIT Less Transport Tie-Down Option Less 150.00

*Transport Tie Down

TRRO includes four factory-installed transport brackets and wheelchair anchored pelvic belt. TRRO has been crash-tested in accordance with ANSI/RESNA WC Vol 1. Section 19 Frontal Impact Test requirements for wheelchairs with a 168 lb crash dummy, which corresponds to a person with a weight of 114 lb to 209 lb.

TRBKTS includes four factory-installed wheelchair transport brackets. TRBKTS has not been crash-tested in accordance with WC19. Use these transport brackets only to secure an unoccupied wheelchair during transport.

As of this date, the Department of Transportation has not approved any tie-down systems for transportation of a user while in a wheelchair, in a moving vehicle of any type. It is Invacare's position that users of wheelchairs should be transferred into appropriate seating in vehicles for transportation and use be made of the restraints made available by the auto industry. Invacare cannot and does not recommend any wheelchair transportation systems.

* Transport Tie Down option is not retrofittable to existing models and is not field serviceable.

VENT TRAY OPTION

- AVENT Ventilator Tray (each) (E1029)..... 295.00 ^{5,6}
- ATBOX Ventilator Battery Box (each)97.00 ⁷
- BACKVENT Laptop Vent Tray (E1029). 1540.00

TILT OPTIONS

- FRLT Cable-Free Foot Release-Left Mount.....No Charge
- FRRT Cable-Free Foot Release-Right Mount.....No Charge
- THR Traditional Hand Release. **Standard**
- TLL Tilt Lock Levers.....No Charge
- TLC Tilt Lock Stops (pair)..... 30.00 ⁸

SEAT WIDTH RANGE

- SWR1216 12"-16" Seat Width RangeNo Charge
- SWR1418 14"-18" Seat Width RangeNo Charge

SEAT WIDTH

- W12 12" WideNo Charge
- W13 13" WideNo Charge
- W14 14" WideNo Charge
- W15 15" WideNo Charge
- W16 16" WideNo Charge
- W17 17" WideNo Charge
- W18 18" WideNo Charge

SEAT DEPTH RANGE

- SDR1216 12"-16" Seat Depth Range.....No Charge
- SDR1519 15"-19" Seat Depth Range.....No Charge

SEAT DEPTH

- D12 12" Seat DepthNo Charge
- D13 13" Seat DepthNo Charge
- D14 14" Seat DepthNo Charge
- D15 15" Seat DepthNo Charge
- D16 16" Seat DepthNo Charge
- D17 17" Seat DepthNo Charge
- D18 18" Seat DepthNo Charge
- D19 19" Seat DepthNo Charge

FOOTNOTES

- ¹ A seating system must be purchased for use with this wheelchair. No seating system is provided.
- ² Transport Tie Down option is not retrofittable to existing models and not field serviceable.
- ³ Not available with AVENT, BACKVENT, RECLINER, RECLINEWU, P750, 2218, OFFMNT, BILAT, 110CP
- ⁴ Not available with AVENT, BACKVENT, P750, 2218
- ⁵ Available with 16" wide frame and above and 18" seat-to-floor heights and above
- ⁶ Removable from back canes
- ⁷ Non-removable from back canes

FOOTNOTES

- ⁸ Additional pair of tilt lock stops, one pair comes standard with chair.

**NOTE: All specifications and dimensions are approximate.
For the most current pricing information go to www.invacare.com.**

Invacare® Spree 3G - Pediatric Growable Tilt-in-Space Wheelchair

Accessories and Options

FRAME FINISH SELECTIONS

CONTEMPORARY COLORS

- 24P Wet Black No Charge
- 71P Silver Vein No Charge
- 60P Silver Metallic No Charge
- 115P Black Prism..... No Charge
- 105P Midnight Blue..... No Charge

TOO HOT COLORS

- 30P Sunny Yellow No Charge
- 61P Electric Red No Charge
- 119P Bubblegum Pink No Charge
- 120P Grape Madness No Charge

WAY COOL COLORS

- 62P Electric Blue No Charge
- 121P Lolly Pop Blue..... No Charge
- 122P Cosmic Blue No Charge
- 125P Emerald Green..... No Charge
- 127P Grasshopper Green No Charge
- 104P Electric Teal..... No Charge
- Touch Up Paint 20.00 ⁹

WHEELS, CASTERS, TIRES

SEAT-TO-FLOOR HEIGHT

- STF12.5 **NEW** Seat-To-Floor 12.5" (10.5" w DPSEAT).. No Charge
- STF13 **NEW** Seat-To-Floor 13" (11" w DPSEAT)..... No Charge
- STF13.5 **NEW** Seat-To-Floor 13.5" (11.5" w DPSEAT).. No Charge
- STF14 **NEW** Seat-To-Floor 14" (12" w DPSEAT)..... No Charge
- STF145 Seat-To-Floor 14.5" (12.5" w DPSEAT) No Charge
- STF15 Seat-To-Floor 15" (13" w DPSEAT) No Charge
- STF155 Seat-To-Floor 15.5" (13.5" w DPSEAT) No Charge
- STF16 Seat-To-Floor 16" (14" w DPSEAT) No Charge
- STF165 Seat-To-Floor 16.5" (14.5" w DPSEAT) No Charge
- STF17 Seat-To-Floor 17" (15" w DPSEAT) No Charge
- STF175 Seat-To-Floor 17.5" (15.5" w DPSEAT). No Charge
- STF18 Seat-To-Floor 18" (18" w DPSEAT). No Charge
- STF185 Seat-To-Floor 18.5" (18.5" w DPSEAT). No Charge
- STF19 Seat-To-Floor 19" (19" w DPSEAT). No Charge

CASTER OPTIONS (PAIR)

- 4SPLT 4" x 1" Composite Urethane Light Up..... No Charge
- 4ALUM2 **NEW** 4" x 1.4" Aluminum Soft Roll. 90.00
- 5SPLT **NEW** 5" x 1" Composite Urethane Light Up. No Charge
- 5SOFT 5" x 1" Semi-Pneumatic Casters. No Charge
- 5ALUM 5" x 1" Aluminum Urethane Casters..... 92.00
- 5ALUM2 **NEW** 5" x 1.4" Aluminum Soft Roll. 90.00
- AT902 6" x 1" Composite Urethane 3-Spoke Casters.No Charge
- 1259 6" x 2" Semi-Pneumatic Casters. 60.00
- 6ALUM2 **NEW** 6" x 1.4" Aluminum Soft Roll. 90.00
- 1228 8" x 1.75" Semi-Pneumatic Casters Lt Grey..... 60.00
- AT903 8" x 1.25" Composite Urethane Casters..... No Charge

WHEEL OPTIONS (PAIR)

- 12COM 12" Composite Wheels. No Charge ¹⁰
- 16COM 16" Composite Wheels. No Charge ^{10,11}
- 18COM 18" Composite Wheels. No Charge ^{10,11}
- 20COM 20" Composite Wheels. No Charge
- 22COM 22" Composite Wheels. No Charge
- 24COM 24" Composite Wheels. No Charge

FOOTNOTES

- ⁹ Touch Up Paint not available in all colors
- ¹⁰ Not available with urethane tires
- ¹¹ Only available with aluminum handrims

AXLE TYPE (PAIR)

- A1577 Quick Release Axles No Charge
- PAXLE Permanent Axles **Standard**

		Front & Rear Seat-to-Floor Heights				
		Measured from Floor to Top of Seat Rail				
		All Dimensions are Approximate				
		4" 4SPLT 4ALUM2	5" 5ALUM 5ALUM2 5SOFT 5SPLT	6" AT902 6ALUM2	6" 1259	8" 1228 AT903
Rear Wheel	12"	12.50" 13.00" 13.50" 15.50" 16.00"	13.50" 15.50" 16.00" 16.50"	15.50" 16.00" 16.50" 17.00"	15.50" 16.00" 16.50" 17.00" 17.50" 18.00"	16.50" 17.00" 17.50" 18.00"
	16"	12.50" 13.00" 13.50" 14.00" 14.50" 15.00"	13.50" 14.00" 14.50" 15.00"	14.50" 15.00" 17.00"	14.50" 15.00" 17.00" 17.50" 18.00"	17.00" 17.50" 18.00" 18.50" 19.00"
	18"	13.50" 14.00" 14.50" 15.00" 15.50" 16.00"	13.50" 14.00" 14.50" 15.00" 15.50" 16.00"	14.50" 15.00" 15.50" 16.00"	14.50" 15.00" 15.50" 16.00" 18.00"	18.00" 18.50" 19.00"
	20"	15.00" 15.50" 16.00"	15.00" 15.50" 16.00" 16.50"	15.00" 15.50" 16.00" 16.50" 17.00"	15.00" 15.50" 16.00" 16.50" 17.00" 17.50"	16.50" 17.00" 17.50"
	22"	16.00"	16.00" 16.50"	16.00" 16.50" 17.00"	16.00" 16.50" 17.00" 17.50" 18.00"	16.50" 17.00" 17.50" 18.00" 18.50"
	24"	N/A	16.50"	16.50" 17.00"	16.50" 17.00" 17.50" 18.00"	16.50" 17.00" 17.50" 18.00" 18.50" 19.00"

TIRE OPTIONS (PAIR)

- PNEU Pneumatic Tires 60.00
- PNEUFF Flat Free Inserts (E2213)..... 65.00
- URETH Urethane (Treaded) Tires No Charge

HANDRIM OPTIONS (PAIR)

- AHDRM Aluminum Handrims. No Charge
- CHDRM Chrome Plated Handrims..... No Charge
- 1512 Plastic Coated Aluminum Handrims..... 72.00
- AT-1225-8 Plastic Coated w/8 Vertical Projections. 240.00 ¹²
- AT-1224-8 Plastic Coated w/8 Oblique Projections. 240.00 ¹²
- AT1225-12 Plastic Coated w/12 Vertical Projections. 240.00 ¹²
- L8702 Omit Handrims. Less 15.00

FOOTNOTES

- ¹² Only available with 24COM7

NOTE: All specifications and dimensions are approximate.
For the most current pricing information go to www.invacare.com.

Invacare® Spree 3G - Pediatric Growable Tilt-in-Space Wheelchair

Accessories and Options

WHEEL LOCKS ¹³

- FOOTBRK **NEW** Foot Operated Push To Lock Wheel Lock50.00 ¹⁴
- PULLLOCK Pull To Lock Wheel Locks (pair).....No Charge
- PUSHLOCK Push To Lock Wheel Locks (pair)No Charge
- EXTLOCK Push To Lock w/6 Bolt-On Ext (pr) (E0961) 65.00
- FOOTHUB Foot Operated Hublock 200.00 ¹⁵
- ATHUB Cane Mount Hublock50.00 ^{15,16}
- USEHUB Seat Rail Mount Hublock.....50.00 ^{15,17}

POSITIONING

SEAT STYLE ¹⁸

- FLSEAT Flush Seat Pan (uses same hardware as DPSEAT) (E2231) 95.00
- DPSEAT Drop Seat Pan (uses same hardware as FLSEAT) (E2231) 95.00

Arm Heights		
Measured from Top of Seat Rail to Top of Armpad		
Arm Type	Low	High
TAD TAF	6.5" - 12.5" .5" increments	9" - 17" 1" increments
FXDESK FXFULL	9.5"	12"
ADJDESK ADJFULL	9.5" - 13.5" 1" increments	12" - 16" 1" increments
FADJDESK FADJFULL	9" - 13" 1" increments	12" - 16" 1" increments

ARM HEIGHT (SEE ARM HEIGHT CHART ABOVE)

- SARMHT Low Arm HeightNo Charge
- HARMHT High Arm Height.....No Charge

CANTILEVER ARMS

- AT99N Cantilever Non Locking Bolt On ArmsNo Charge ¹⁹
- AT55D Cantilever Locking Desk Lgth.Bolt On Arms 195.00 ¹⁹
- AT55F Cantilever Locking Full Lgth.Bolt On Arms 195.00 ¹⁹

T-ARMS (PAIR)

- TAD Adjustable Height, Desk Length (E0973)..... 225.00
- TAF Adjustable Height, Full Length (E0973)..... 225.00

TWO-POINT, FIXED HEIGHT ARMS (PAIR)²⁰

- FXDESK Conventional, Desk Length.....No Charge
- FXFULL Conventional, Full Length.....No Charge

TWO-POINT, ADJUSTABLE HEIGHT ARMS (PAIR)²⁰

- ADJDESK Conventional, Desk Length (E0973)..... 195.00
- ADJFULL Conventional, Full Length (E0973) 195.00
- FADJDESK Flip-Back, Desk Length (E0973) 245.00 ¹⁹
- FADJFULL Flip-Back, Full Length (E0973)..... 245.00 ¹⁹

FOOTNOTES

- ¹³ When SDR1216 is selected with 24COM7 and 8" casters only hublocks are available.
- ¹⁴ Not available with AVENT
- ¹⁵ Not available with 16COM
- ¹⁶ Not available with RECLINER
- ¹⁷ Only available with TAD,TAF,AT99N,AT55D, and AT55F
- ¹⁸ FLSEAT and DPSEAT are solid seat pans and do not come with this chair, must be selected if needed.
- ¹⁹ Not available with RECLINER or RECLINEWU
- ²⁰ Available on 15" seat depth and above

BACK TYPE

- SCANE Standard Aluminum Back Cane **Standard**
- RCANE **NEW** Steel-Reinforced Back CaneNo Charge
- RECLINER Reclining Back with Upholstery (E1226) 810.00 ^{21,22}
- RECLINEWU Reclining Back w/out Upholstery (E1226) 790.00 ²³
- RECEXT Reclining Headrest Pillow and Extension (E0966).75.00
- RLL Recliner Lockout LeversNo Charge ²⁴

Back Cane Heights		
Measured from Top of Seat Rail		
Back Cane Type	Inches to 10° Bend	Total Height
BH20	Straight Cane	20.5"
BH24B	15.5"	24.5"
BH24	Straight Cane	24.5"
ABH1720	16.2" – 21.2"	29.3" – 34.3"
RECLINER	Straight Cane	26"
RECLINER + Headrest	Straight Cane	36"

BACK HEIGHT (SEE BACK CANE HEIGHT CHART)

- BH20 Strt Cane w/ Psh Hndle Back Height 20"No Charge ²⁵
- BH24B **NEW** Back Height 24" w/ bendNo Charge
- BH24 Back Height 24"No Charge
- ABH1720 Adjustable Height Back Canes (17" – 20").....No Charge ^{25,26}

BACK CANE OPTIONS

- FXBACK Non-Fold Down Back Canes **Standard**
- FLDBACK Fold-Down Back CanesNo Charge ¹⁶

POSITIONING STRAPS (EACH)

- 1515 Push Button Buckle Seat Positioning Strap(E0978).50.00
- 1321BK Hook & Loop Seat Positioning Strap (E0978)..... 50.00
- 1311BK Airline Buckle Seat Positioning Strap (E0978)..... 50.00
- 9515 Push Button Chest Positioning Strap (E0960)..... 100.00 ¹⁹
- 7321BK Hook & Loop Chest Positioning Strap (E0960)... 100.00 ¹⁹
- 7311BK Airline Buckle Chest Positioning Strap (E0960). 100.00 ¹⁹

NEW BODYPOINT® PADDED CALF STRAPS ^{27,28}

- BPCALFS Padded Calf Straps (13"-15") (K0038)..... 52.00
- BPCALFM Padded Calf Straps (15"-18") (K0038) 56.00
- BPCALFL Padded Calf Straps (18"-22") (K0038) 64.00

NEW BODYPOINT® ANKLE HUGGERS® ^{27,29}

- BPAHGS Side-Release Ankle Huggers (6.5"-8") (K0108).. 156.00
- BPAHGM Side-Release Ankle Huggers (7.5"-9") (K0108).. 160.00
- BPAHGL Side-Release Ankle Huggers (8.5"-11.5") (K0108).160.00
- BPAHGXL Side-Release Ankle Huggers (11"-13") (K0108). 164.00

FOOTNOTES

- ²¹ Comes with back upholstery and AASH. Must choose RECEXT when selecting RECLINER.
- ²² Available on 14" and above seat width
- ²³ Not available with a headrest and pillow. Comes standard with AASH.
- ²⁴ Not available with SCANE or RCANE
- ²⁵ Not available with P750
- ²⁶ Must choose the AASH when ordering the ABH1720. The ABH1720 is not available with the 1483 Non-Adjustable Rigidizing Handle Bar.
- ²⁷ See www.bodypoint.com for complete details. Products are not installed on chair.
- ²⁸ Measure chair width to determine size
- ²⁹ Measure circumference above ankle to determine size

NOTE: All specifications and dimensions are approximate.
For the most current pricing information go to www.invacare.com.

Invacare® Spree 3G - Pediatric Growable Tilt-in-Space Wheelchair

Accessories and Options

NEW BODYPOINT® STAYFLEX™ 27,30

- BPSFM Anterior Trunk Support w/Zip (13"-16")(E0960) 174.00
- BPSFL Anterior Trunk Support w/Zip (16"-19")(E0960).178.00
- BPSFNM Anterior Trunk Support Narrow w/Zip (13"-16") (E0960). 174.00
- BPSFNL Anterior Trunk Support Narrow w/Zip (16"-19") (E0960). 178.00

MISCELLANEOUS

BACK ACCESSORIES 16

- ADJRGD Adjustable Width Back Rigidizing Bar. 85.00
- 1483 Non-Adjustable Stroller Handles. 85.00
- AASH Adj. Angle Stroller Handles (Outside Mnt)...No Charge
- AASHIN Adj. Angle Stroller Handles (Inside Mnt)..... No Charge

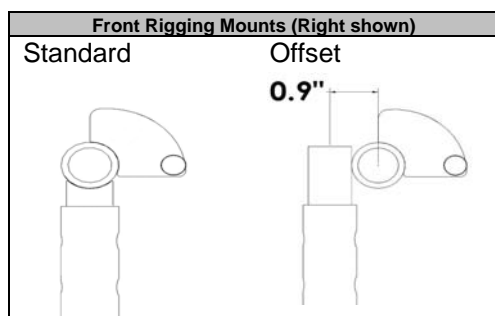
MISCELLANEOUS ACCESSORIES

- 1209 Tire Pump 35.00
- P750 Oxygen Holder (E2208). 128.00 19,31
- 2218 IV Pole (K0105). 150.00 19
- A1580 Rear Anti-Tippers..... No Charge
- BP02 Multi Pocket Backpack. 65.00

FRONT RIGGING OPTIONS

NEW FRONT RIGGING MOUNTING

- STD MNT STD Front Rigging Mount. **Standard** 32
- OFF MNT Offset Front Rigging Mount..... No Charge



FRONT RIGGINGS (PAIR)

- 70LIFTNT 70° Lift Off Non-Taper Footrests (pair) 95.00
- 70LIFTMFX 70° Lift Off MFX Footrests (pair) 95.00 33
- 90LIFTMFX 90° Lift Off MFX Footrests (pair) 95.00 33
- SWING1319 60° Swingaway Footrests (pair)..... No Charge
- SWING914 60° Swingaway Footrests MFX (pair) No Charge
- 70NTAPER 70° Swingaway Footrests (pair) No Charge 33
- 70MFX 70° Swingaway Footrests MFX (pair) No Charge 33
- 70STAPER 70° Tapered Footrests (pair)..... No Charge 34
- 90SWING 90° Swingaway Footrests (pair)..... No Charge 33
- AT5044LIFT Lift Off Elevating Legrests (pair) (E0990). 255.00 35
- AT5044 Elevating Legrests (pair) (E0990)..... 255.00 35
- BILAT **NEW** Bi-Lateral Contracture Footrests (pair) 120.00 35
- ATL4 Center Pivot Articulating Legrests (pr) (K0053) 320.00 35
- 110CP Contracture Platform 280.00 34

FOOTNOTES

³⁰ Measure shoulder width to determine size. BPSFM and BPSFL are approx 2" wider in center than BPSFNM and BPSFNL.

³¹ Not available with BH20 and ABH1720

³² Not available with SDR1216; front rigging receivers are welded to the frame

³³ Must select AT5543

³⁴ Available on 16" seat width and above

³⁵ Not available with a 12.5" Seat-to-Floor Height

FOOTPLATE TYPE (PAIR)

- 1651 Flip-Up Composite Footplates No Charge 36
- A1562 Aluminum Footplates 59.00 36
- A1564 Extra Large Aluminum Footplates (K0041) 59.00 36
- AT5543 Adjustable Angle Flip-Up Footplates (K0040)... 165.00

ADJUSTABLE ANGLE FOOTPLATE RIGHT (EACH) 37

(BI-LATERAL CONTRACTURE FOOTREST ONLY)

- AAF325R Adj. Angle Footplate Right 3.25" W (K0040) 83.00
- AAF425R Adj. Angle Footplate Right 4.25" W (K0040) 83.00
- AAF525R Adj. Angle Footplate Right 5.25" W (K0040) 83.00
- AAF625R Adj. Angle Footplate Right 6.25" W (K0040) 83.00
- AAF725R Adj. Angle Footplate Right 7.25" W (K0040) 83.00

ADJUSTABLE ANGLE FOOTPLATE LEFT (EACH) 37

(BI-LATERAL CONTRACTURE FOOTREST ONLY)

- AAF325L Adj. Angle Footplate Left 3.25" W (K0040)..... 83.00
- AAF425L Adj. Angle Footplate Left 4.25" W (K0040)..... 83.00
- AAF525L Adj. Angle Footplate Left 5.25" W (K0040)..... 83.00
- AAF625L Adj. Angle Footplate Left 6.26" W (K0040)..... 83.00
- AAF725L Adj. Angle Footplate Left 7.25" W (K0040)..... 83.00

Knee-To-Heel Range		
Measured from front edge of seat pan to back of footplate		
Front Rigging Type	Minimum	Maximum
Range Adjusts in 0.5" Increments		
*60°	13.50	17.50
*60° MFX	9.00	12.50
*70°	13.50	16.50
*70° Tapered	12.75	16.25
Bilateral Contracture STF125-STF16	6.00	9.50
Bilateral Contracture STF165-STF19	6.00	13.50
Range Adjusts in 1" Increments		
70° MFX	5.75	11.75
90°	4.50	7.50
Infinite Range Adjustments		
*Elevating	14.00	20.00
Articulating	16.00	24.00
Contracture Platform STF125-STF16	10.00	12.00
Contracture Platform STF165-STF19	14.00	16.00
* ALPT shifts range by 2"		

FOOTREST/LEGREST ACCESSORIES (PAIR)

- 1337 Calf Strap (K0038) 24.00
- 9342 "H" Strap (K0039)..... 56.00
- FRMPRB **NEW** ChairArmor Blue Neoprene Frame Protectors. 65.00 38
- FRMPRS **NEW** ChairArmor Silver Neoprene Frame Protectors. 65.00 38
- FRMPRR **NEW** ChairArmor Red Neoprene Frame Protectors. . 65.00 38
- FRMPRBK **NEW** ChairArmor Black Neoprene Frame Protectors. 65.00 38
- ALPT Longer Pivot And Slide Tubes 84.00
- ALPT3 3" Extension For 90SWING Footrests 31.00

FOOTNOTES

³⁶ Not available with Bodypoint Ankle Huggers

³⁷ Must select if BILAT was chosen

³⁸ Only available with 70LIFTNT, SWING1319, 70NTAPER, 70STAPER

**NOTE: All specifications and dimensions are approximate.
For the most current pricing information go to www.invacare.com.**

Invacare® Spree 3G - Pediatric Growable Tilt-in-Space Wheelchair

Accessories and Options

HEEL LOOP/TOE LOOP (PAIR)

- A1600BK Heel Loops With Ankle Straps (E0951) 51.00
- HLOOP Heel Loops Without Ankle Straps (E0951) 51.00
- 1345 Toe Loops (E0952)..... 39.00

SEATING

SEATING CUSHION SELECTION

- EC Absolute Cushion (E2601) 104.00
- ITSOM InTouch™ Stabilite™ OM (E2605/E2606) 320.00
- ITSG InTouch™ Stabilite™ Gentle Contour (E2607) 340.00
- ITSM InTouch Stabilite Max Contour (E2605) 340.00
- ITFG InTouch Flovair™ Gentle Contour (E2607) 360.00
- ITFM InTouch Flovair Max Contour (E2607) 360.00

SEATING BACK SELECTION

- PBR Personal Back 10™ Reg. Height (E2615) 565.00
- PBT Personal Back 10 Tall Height (E2615) 565.00
- PPR Personal Back 10 Plus Reg. Height (E2615) 645.00
- PPT Personal Back 10 Plus Tall Height (E2615) 645.00

NEW HEADREST OPTIONS

- HR02S Lg Adj. Headrest System (Fixed Mount)(E0955) 284.00
- CP175 Stealth Headrest 14" Multi Axis (E0955) 225.00
- CP175HW Removable & Adjustable Hardware (E1028) 225.00
- CP275 Stealth Headrest 10" Multi Axis (E0955) 225.00
- CP275HW Removable & Adjustable Hardware (E1028) 225.00
- CP180 Stealth Headrest 14" TWB (E0955) 225.00
- CP180HW Removable & Adjustable Hardware (E1028) 225.00
- CP280 Stealth Headrest 10" TWB (E0955) 225.00
- CP280HW Removable & Adjustable Hardware (E1028) 225.00

FOR ADDITIONAL SEATING NEEDS PLEASE REFER TO:

INVACARE REHAB SEATING & POSITIONING PRODUCTS
PRICE LIST FORM 07-027

Basic Chair Includes	
• Spree Tilt-in-Space Frame	• Seat-to-Floor Height Selection
• Tilt Option (FRLT, FRRT, THR)	• Casters (4SPLT, 5SPLT, 5SOFT, AT902, AT903)
• Frame Width (12"-18")	• Wheels
• Seat Width Range	• Axles (A1577, PAXLE)
• Seat Depth (12"-19")	• Urethane Treaded Tires
• Seat Depth Range	• Handrims (AHDRM, CHDRM)
• Center-of-Gravity Setting	• Frame Finish
• Arms (FXDESK, FXFULL, AT99N)	• Rear Anti-Tippers
• Aluminum or Steel Reinforced Back Canes	• Wheel Locks (PULLLOCK, PUSHLOCK)
• Back Height Selection	• Front Riggings (SWING1319, SWING914, 70NTAPER, 70MFX, 70STAPER, 90SWING)
• Fold Down Back	• Flip-up Composite Footplates

Available Through Our Specials Department	
Adjustable Clamp-on Sector Blocks (pair)	SM-031007103339
Seat Pouch	C-071010113540

Specifications	
Frame Style	Tilt-in-Space
Overall Width	Seat width + 8.25" (12" wheels) Seat width + 9.25" (18-24" wheels)
Seat Width	12" - 18"
Seat Depth	12" - 19"
Back Height	17" - 20", 20", 24"
Adjustable Angle Back	0°, 5°, 10°, 15°, 20°, 25°, 30°
Tilt Range	-5 to 50°
Recliner Back	175°
Weight Limit	200 lbs
Weight of Chair	32 lbs*
Limited Warranty	Lifetime on frames and crossbraces
* Base chair without Accessories	

NOTE: All specifications and dimensions are approximate.
For the most current pricing information go to www.invacare.com.

Invacare® Spree 3G - Pediatric Growable Tilt-in-Space Wheelchair

True Center Mass Management Explained

NEW Invacare's True Center Mass Management adjustment is a simple and intuitive way to significantly improve the tilting experience of the individual seated in the chair which directly correlates to the ease of tilt experienced by the Caregiver.

When adjusting the COG there are 4 bolts to change (2 on each side). See the illustration to the left and chart above.

The **Rear** setting has the rocker tube telescoped entirely into the seat frame support tube where the adjustment bolt is in the bottom hole. Along the base frame the bolt is in the top hole. (e.g. accommodates a seat depth that is in the highest end of the seat depth range)

For the **Mid** setting the adjustment bolt is simply in the middle hole along the rocker tube which telescopes out and the middle hole along the base frame. (e.g. optimal for a seat depth in the middle of the seat depth range)

The **Front** setting has the bolt in the top hole of the rocker tube which is fully telescoped out of the seat frame support tube and in the bottom hole along the base frame. (e.g. accommodates a seat depth in the lowest end of the seat depth range)

Center-of-Gravity Factory Setting

	Seat Depth Range 15" - 19"	Seat Depth Range 18" - 22"
D15	Front Setting	
D16	Front Setting	
D17	Mid Setting	
D18	Rear Setting	Front Setting
D19	Rear Setting	Front Setting
D20		Mid Setting
D21		Rear Setting
D22		Rear Setting

The factory setting may need to be adjusted if a seating system is added. The factory setting does not account for conditions outside of the seat depth and seat depth range which may cause more weight to be distributed to the front or back of the chair.

Invacare Corporation

www.invacare.com



USA
One Invacare Way
Elyria, OH USA
44035-4190
800-333-6900

All rights reserved. Trademarks are identified by the symbols™ and®.
All trademarks are owned by or licensed to Invacare Corporation unless otherwise noted.

Bodypoint is a registered trademark of Bodypoint, Inc.
Ankle Huggers is a registered trademark of Bodypoint, Inc.
Stayflex is a trademark of Bodypoint, Inc.

Specifications and prices are subject to change without notification.

©2009 Invacare Corporation

Form No. 09-027 rev 10/09